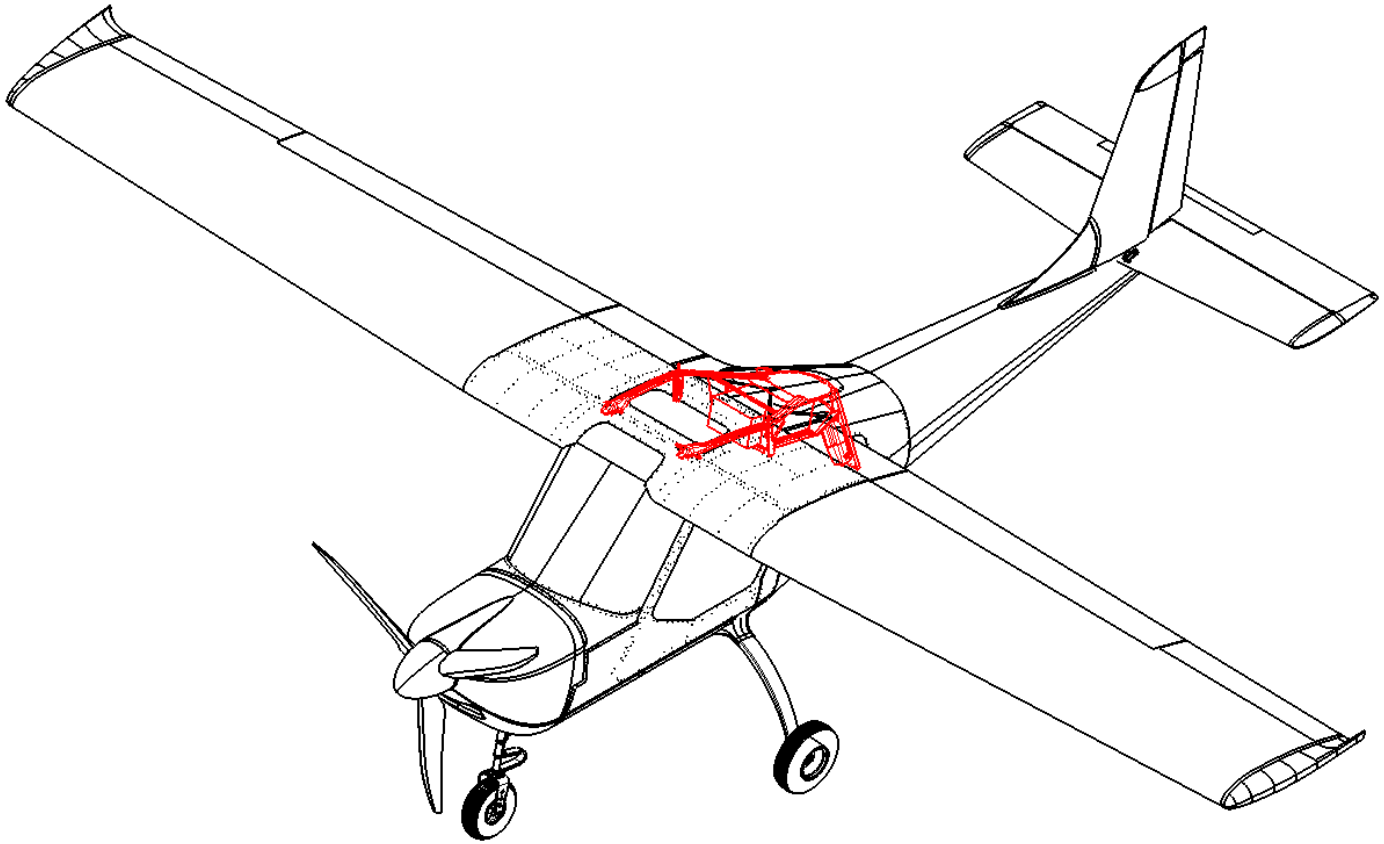
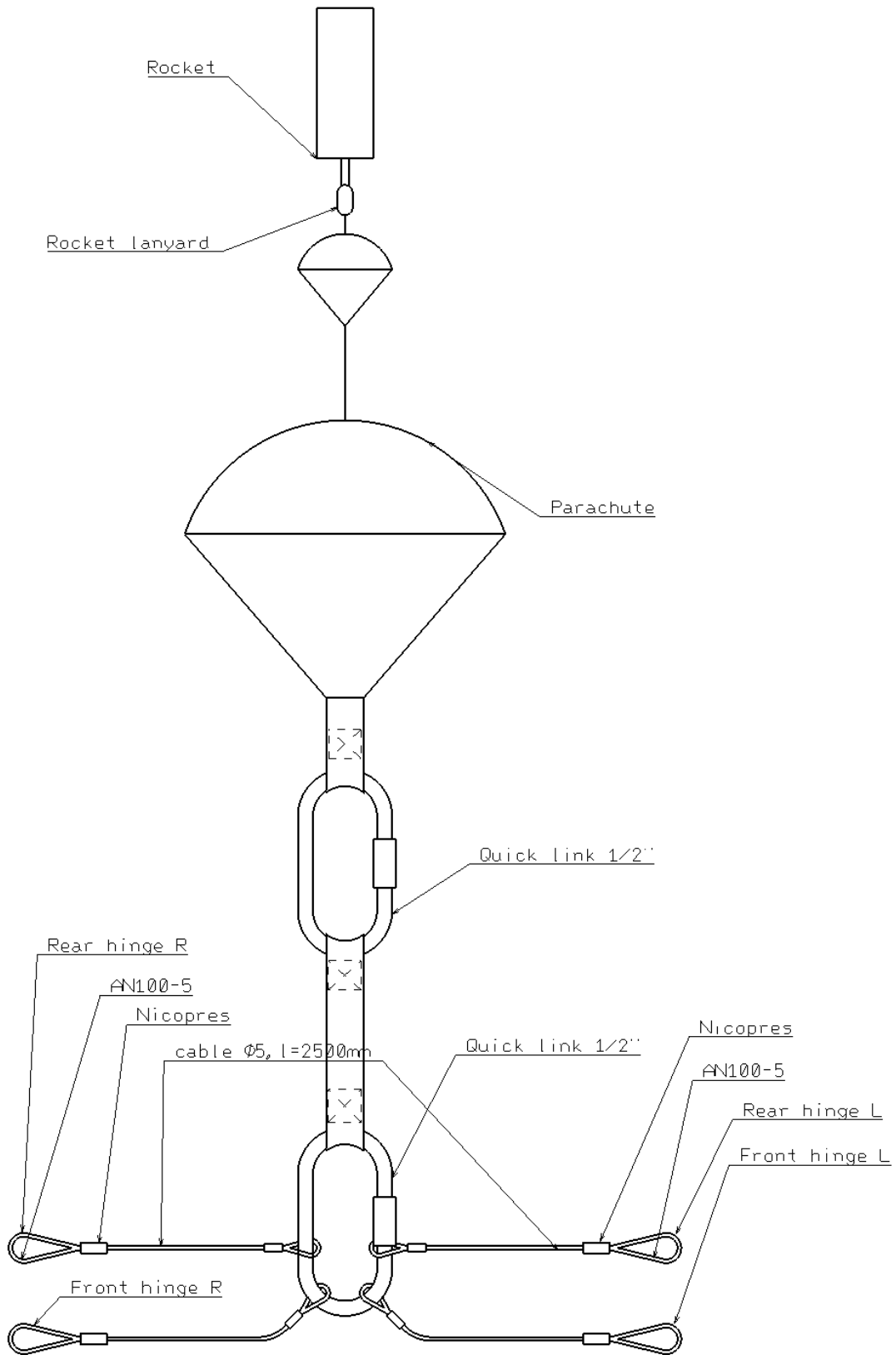


## 1 BRS 800 Installation

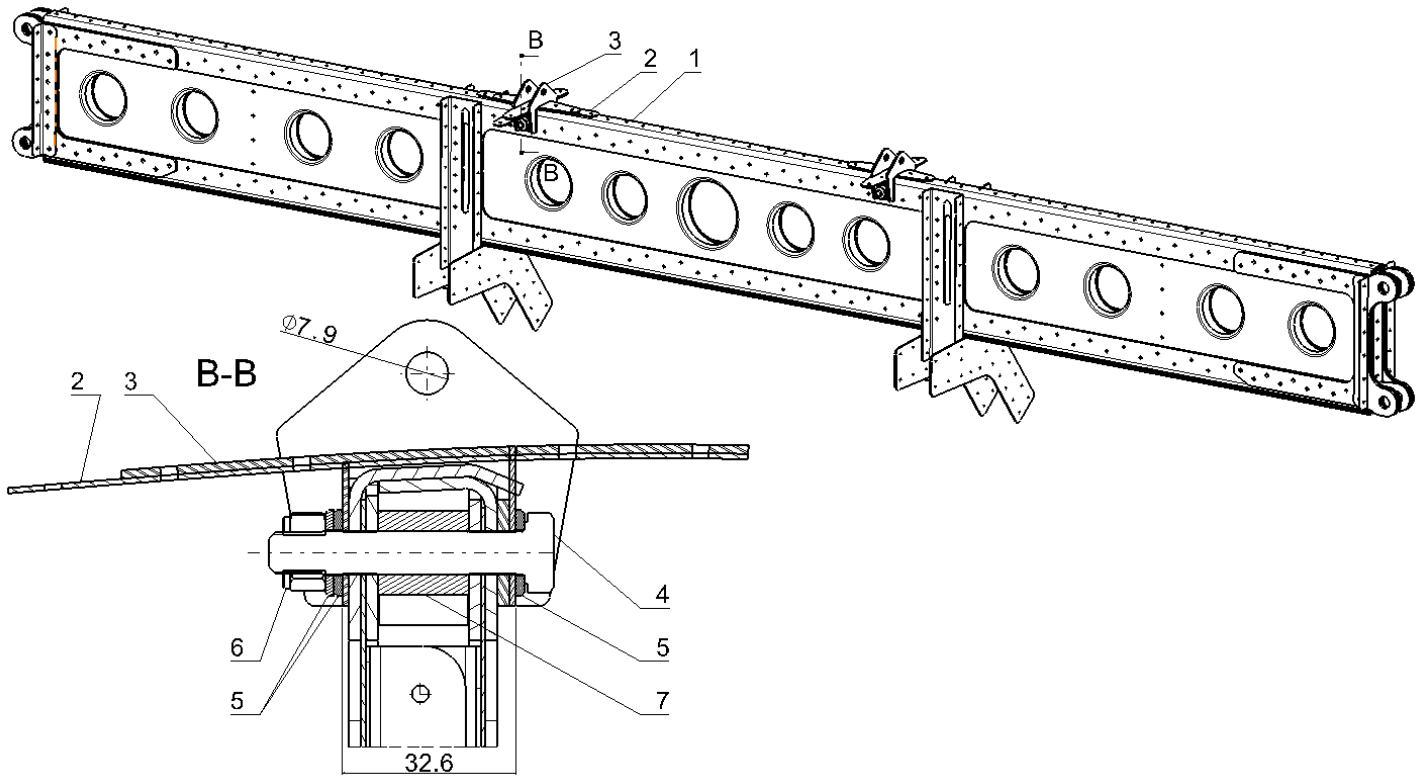


## 1.1 BRS 800 Schematic



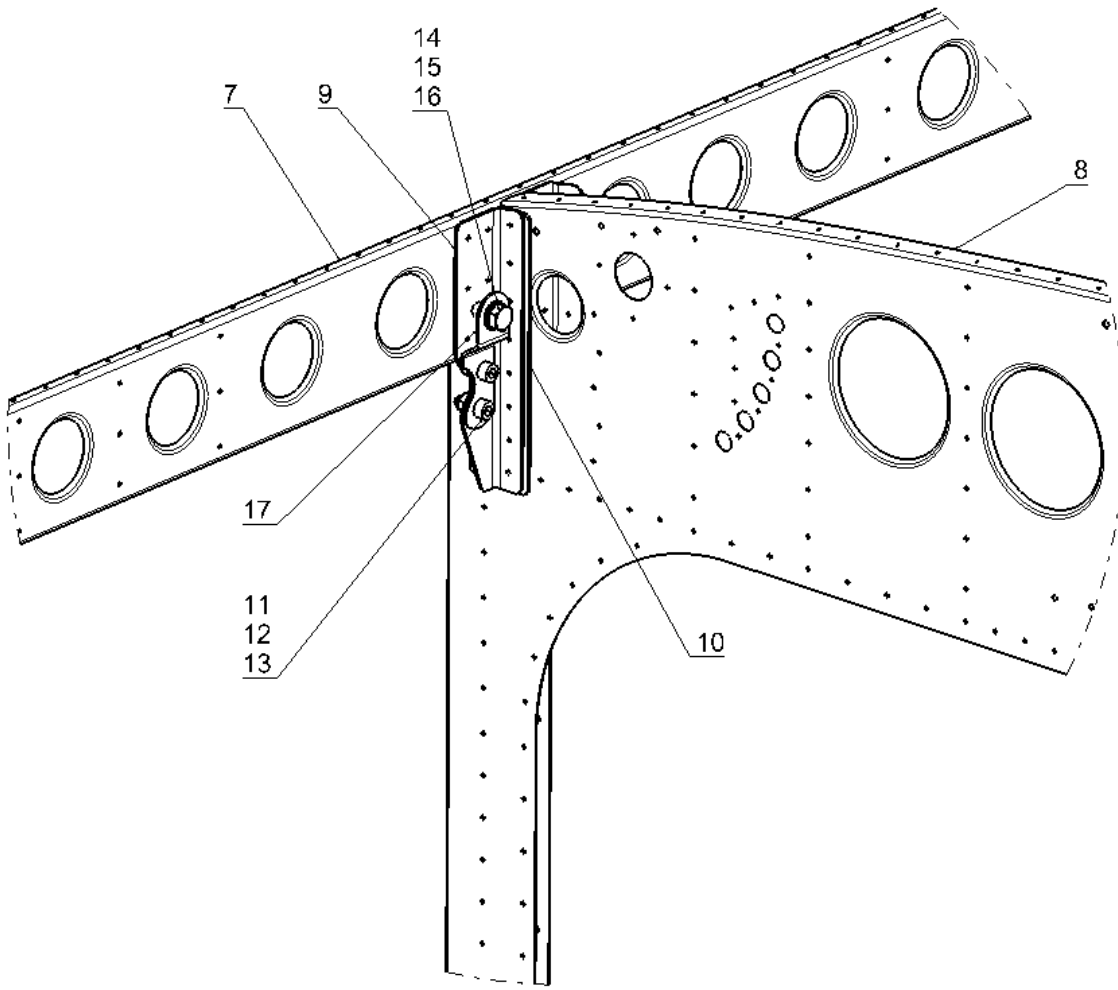


## 1.2 Spar Connection



Number	Description	P/N	Specification	Qty
1	Main Spar Centersection	HV_2_01_01_O		1
2	Doubler	HV_2_06_38a_103		1+1
3	Welded Fitting	HV_2_06_36_103		1+1
4	M6x60_DIN931_48	DIN_931	ISO 4014	2
5	Washer 8 ISO 7089	DIN 125	ISO 7089	6
6	Nut M8_ISO 7040	DIN 982	ISO 7040	2
7	Center Spacer	HV_2_06_35_103		2

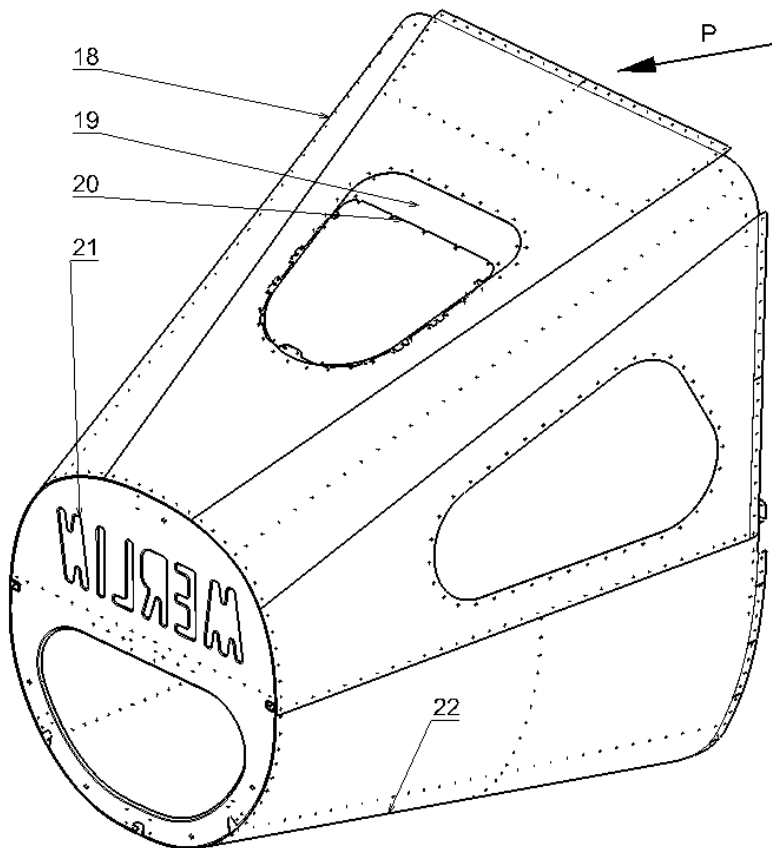
### 1.3 BRS Rear Attach



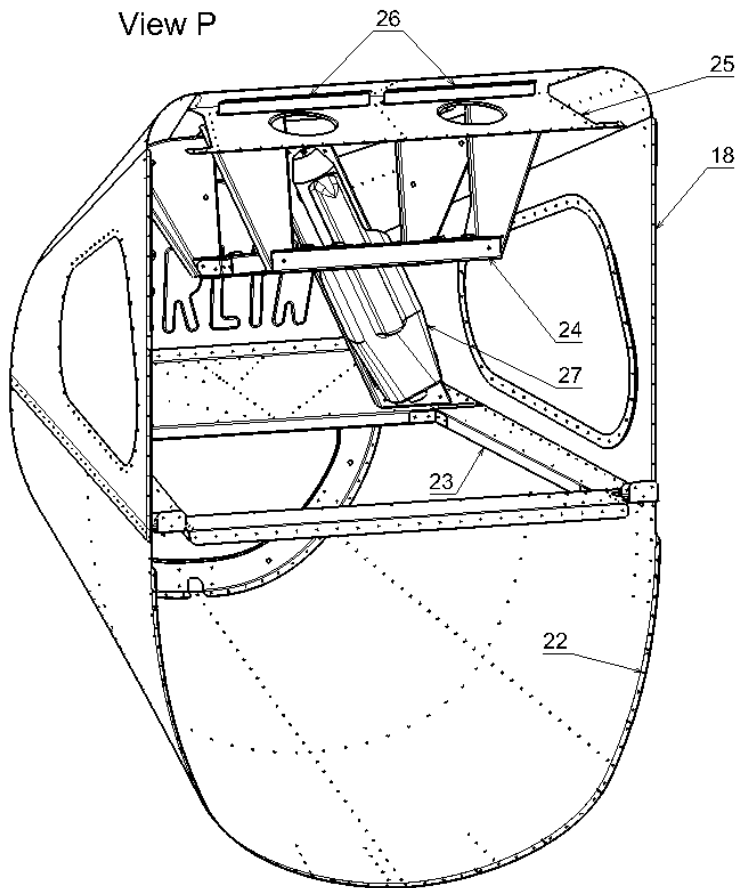
Number	Description	P/N	Specification	Qty
7	Rear Center Spar	HV_2_01_03_03_O		1
8	Cabin Frame	HV_2_01_71_09_R		1
9	Doubler	2_06_01		1+1
10	Side Doubler	2_06_05		2
11	M6x16_DIN912	DIN 912	ISO 4762	4
12	Washer 6	DIN 125	ISO 7089	4
13	Nyloc Nut M6	DIN 982	ISO 7040	4

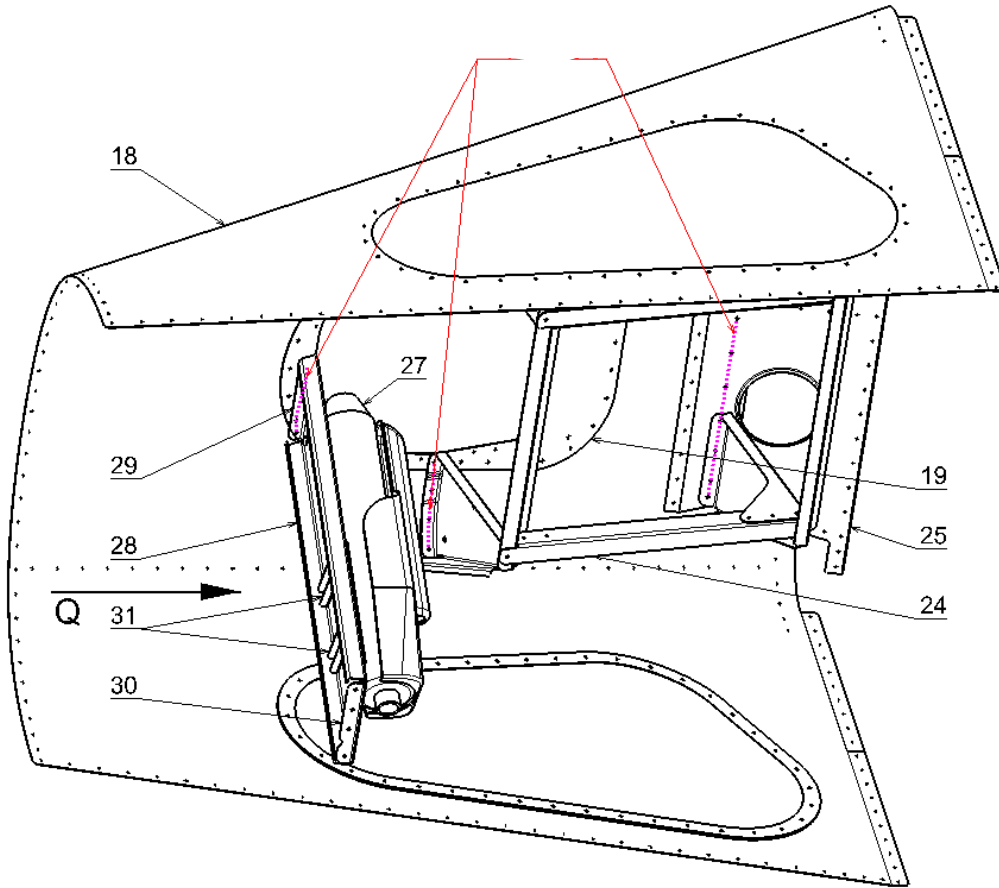
14	M8x40_DIN931_30	DIN 931	ISO 4014	2	
15	Washer 8	DIN 125	ISO 7089	6	
16	Nyloc Nut M8	DIN 982	ISO 7040	2	
17	Rear Attach	2_06_02		1+1	

#### 1.4 BRS 800 Softpack and Rocket Attach



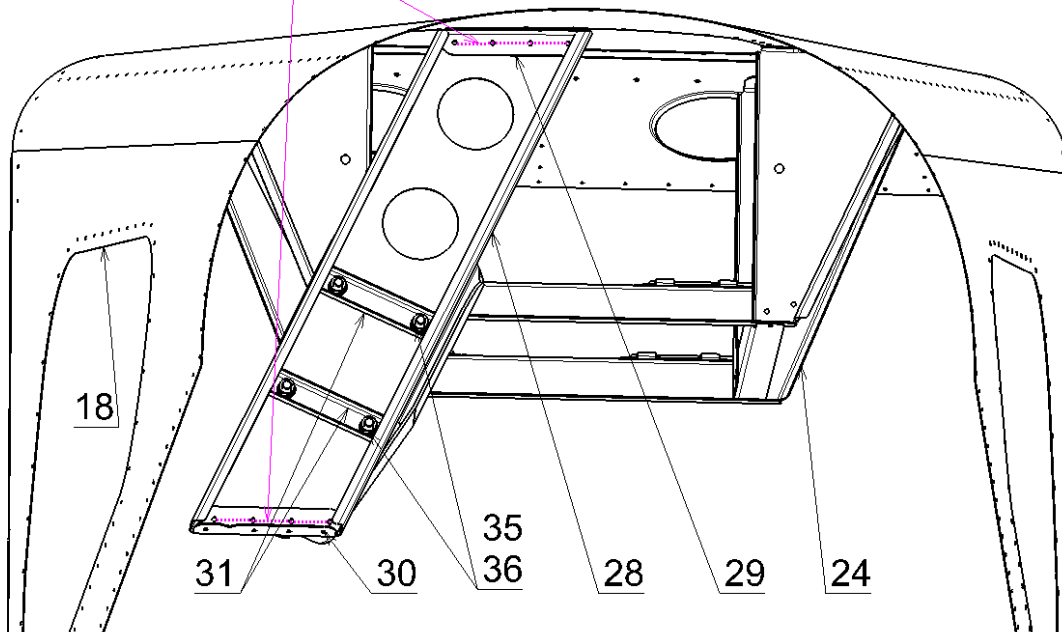
View P



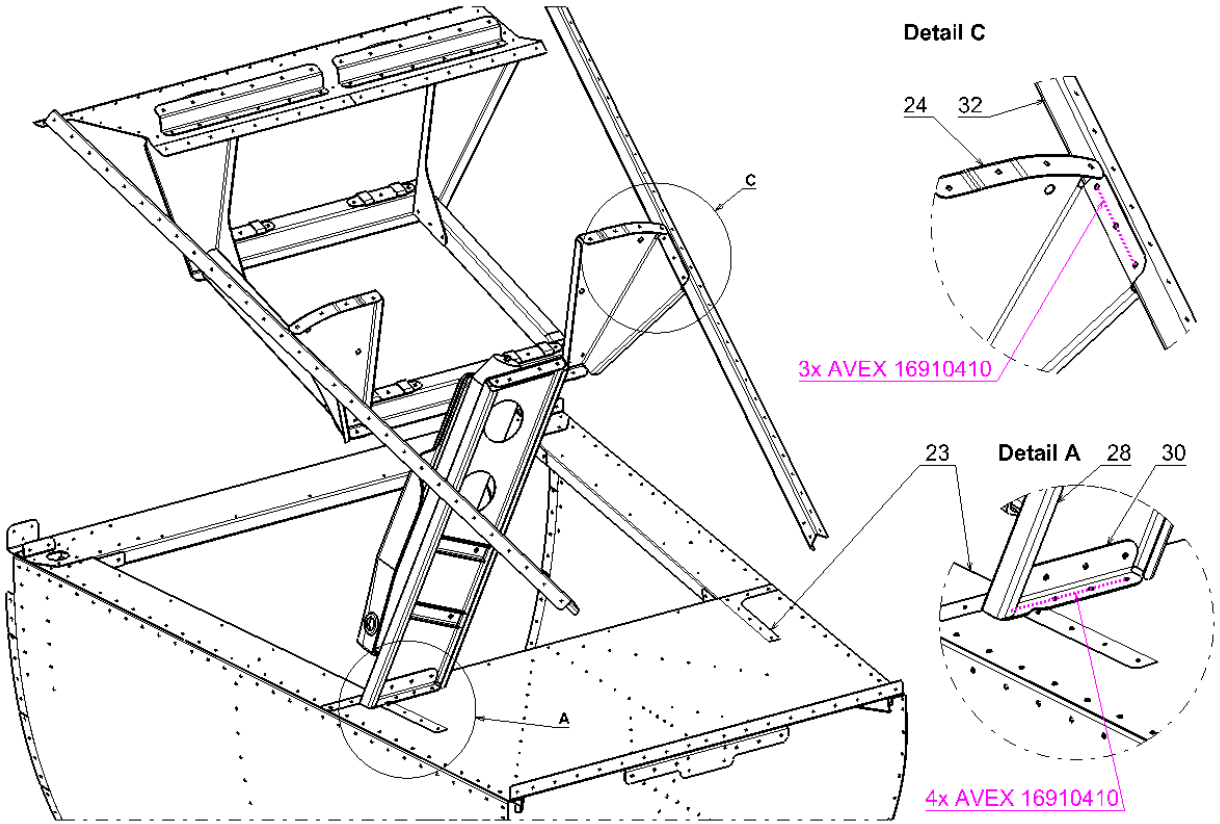


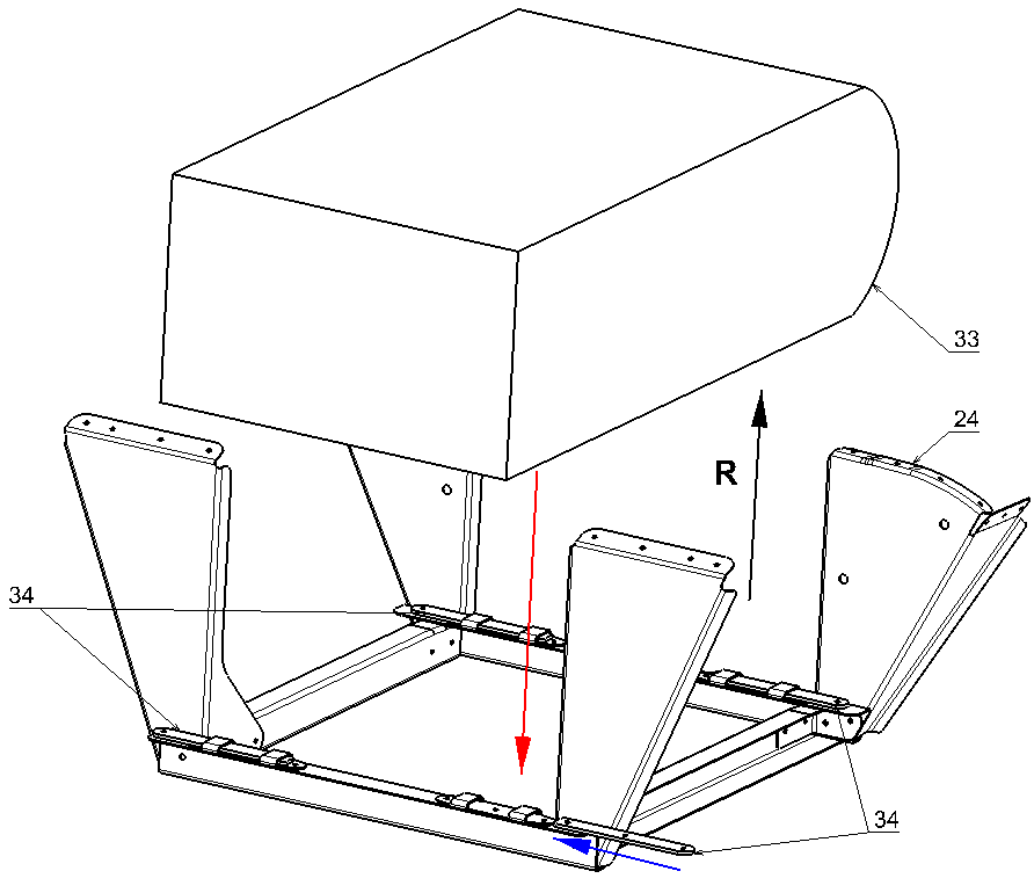
View Q

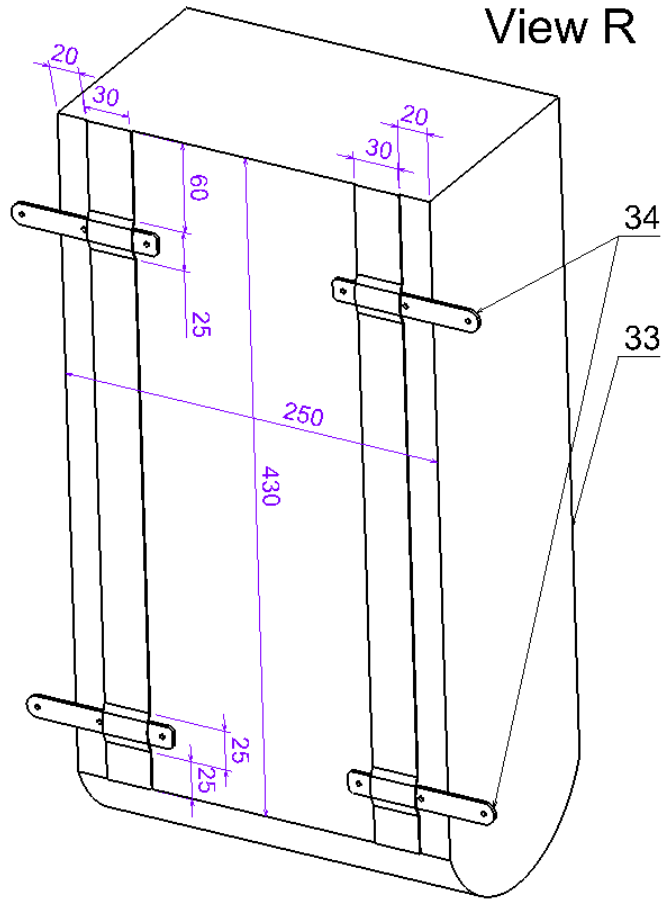
8x AVEX 16910410









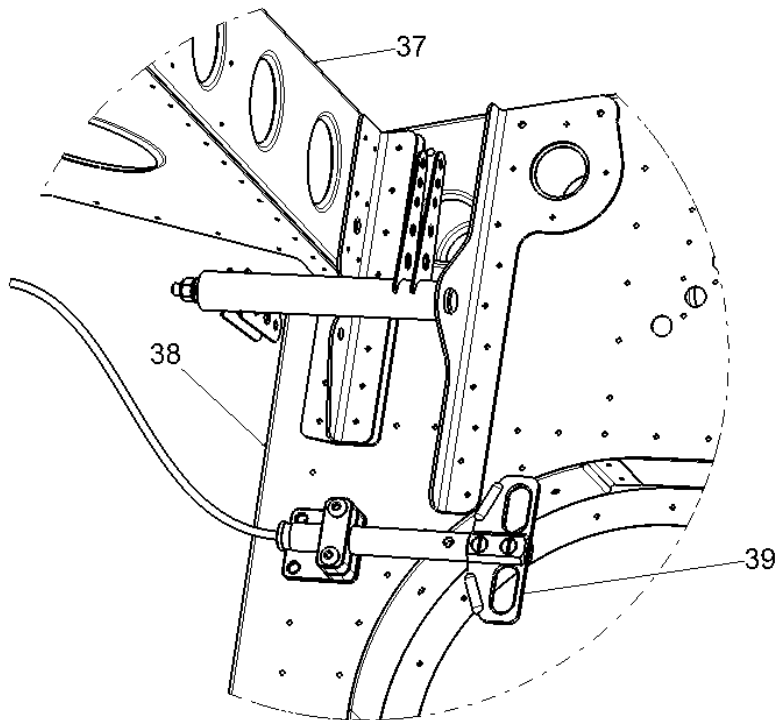


#### Parachute Schematic

Number	Description	P/N	Specification	Qty	
18	Top Fuseage Skin	HV_2_02_31V2		1	
19	Window	HV_2_06_09_103		1	
20	Window	HV_2_06_10_103		1	
21	Bulkhead	2_02_08_01V2		1	
22	Bottom Fuselage Skin	2_02_30_01_H		1	
23	Baggage Support	2_02_26_H		1	
24	Rib	HV_2_06_25_103		1	
25	Top Cabin Frame	2_01_71_04		1	
26	Top Doubler	HV_2_06_25_07_103		1+1	

27	Rocket			1	
28	Rocket Frame	HV_2_06_28_103		1	
29	Top Angle	HV_2_06_29_103		1	
30	Bottom Angle	HV_2_06_30_103		1	
31	Attach Doubler	HV_2_06_31_103		2	
32	Front Attach Doubler	2_02_16		1+1	
33	Parachute Pack	HV_2_06_12_103		1	
34	Tie Wraps	HV_2_06_27_103		4	
35	6_DIN125	DIN125		4	
36	M6_DIN982	DIN982		4	

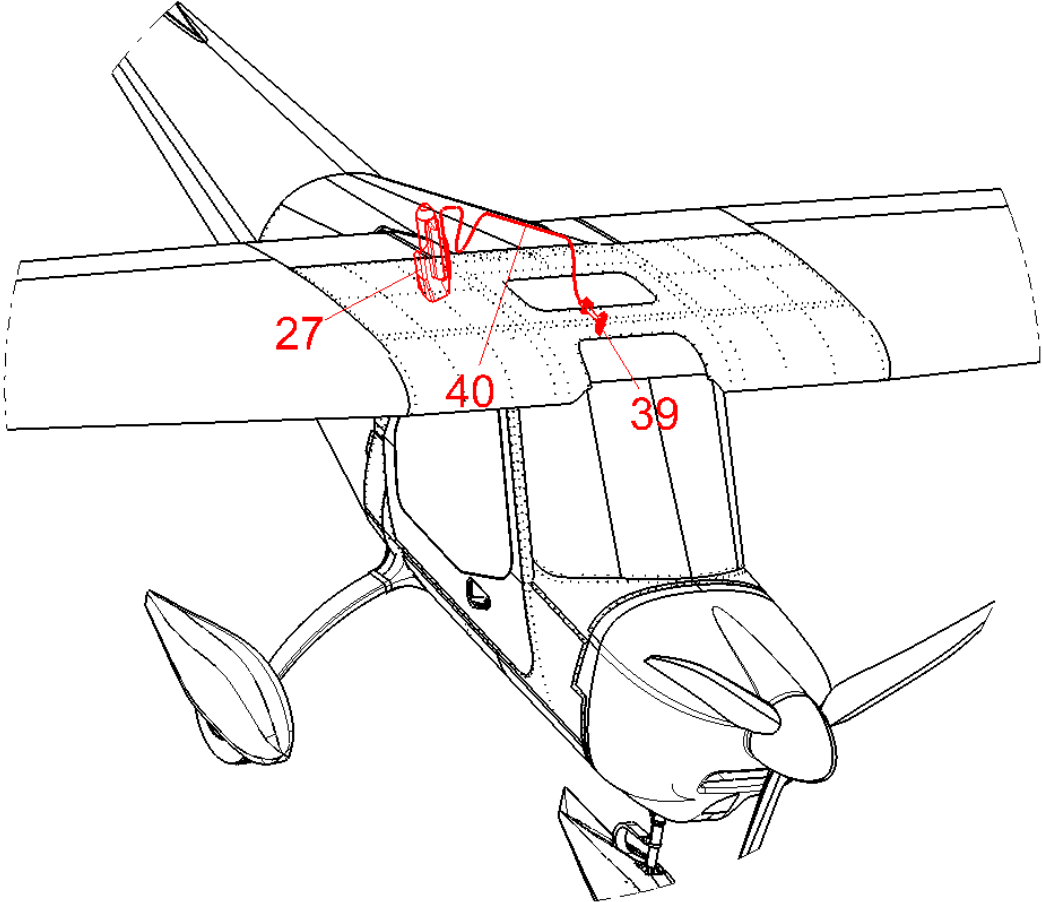
### 1.5 BRS Deployment Handle Mounting



Number	Description	P/N	Specification	Qty	
--------	-------------	-----	---------------	-----	--

37	Rear Center Spar	HV_2_01_03_03_O		1	
38	Cabin Bulkhead	HV_2_01_71_09_R		1	
39	Deploy Handle			1	

1.5.1 BRS Bridle Routing



Number	Description	P/N	Specification	Qty
27	Rocket			1
39	Deployment Handle			1
40	Cable		Length 1300mm	1